

Sector CarrierClass 5-17

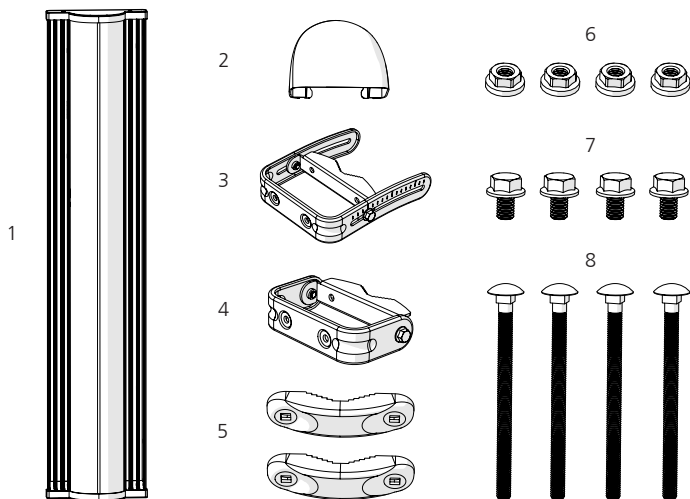
Sector Antenna With CARRIER CLASS Performance



Sector CarrierClass 5-17

3

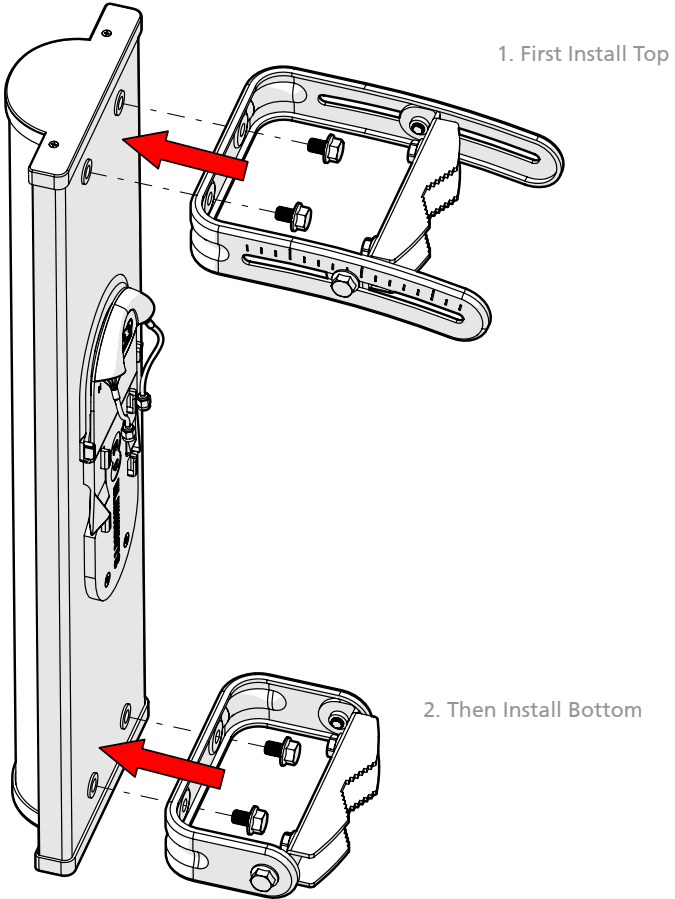
Package Contents



Number	Description	Quantity
1	Sector Antenna	1x
2	Cover	1x
3	Bracket Top	1x
4	Bracket Bottom	1x
5	Pole Clamp	2x
6	Nut M8	4x
7	M8 x 16mm Screw	4x
8	M8 x 120mm Screw	4x

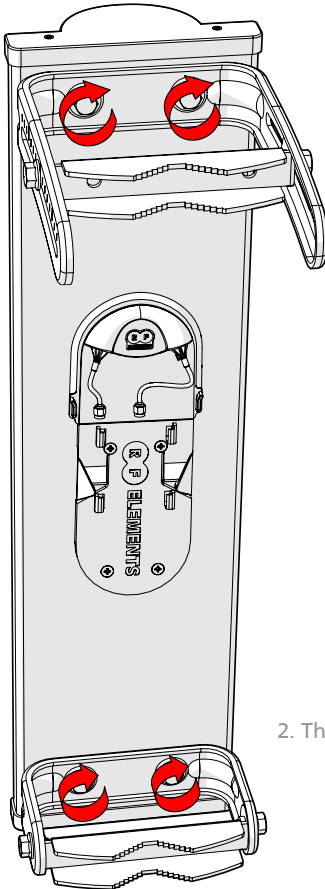
Sector CarrierClass 5-17

Installation Guide



Sector CarrierClass 5-17

Installation Guide

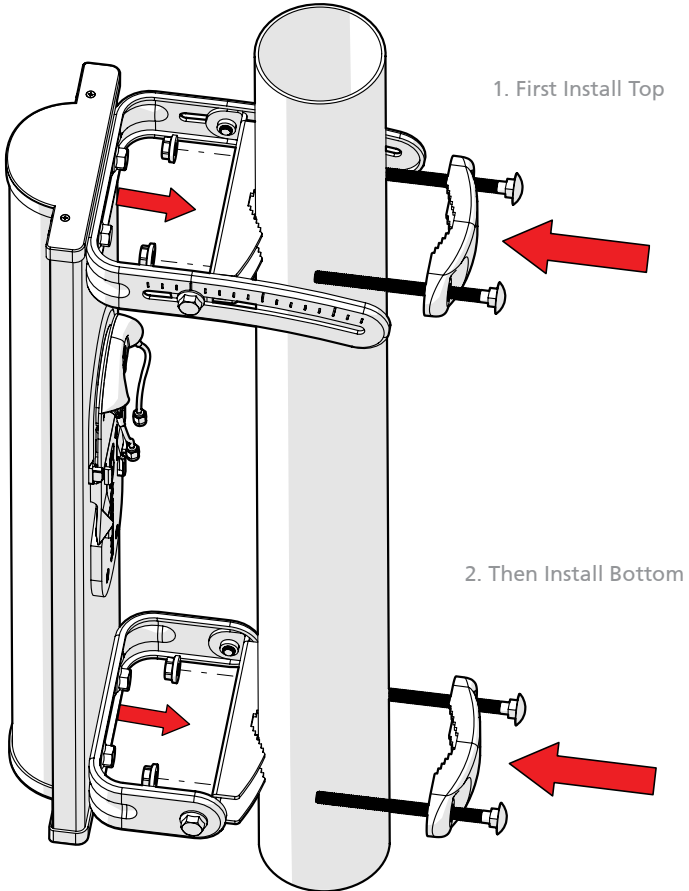


1. First Install Top

2. Then Install Bottom

Sector CarrierClass 5-17

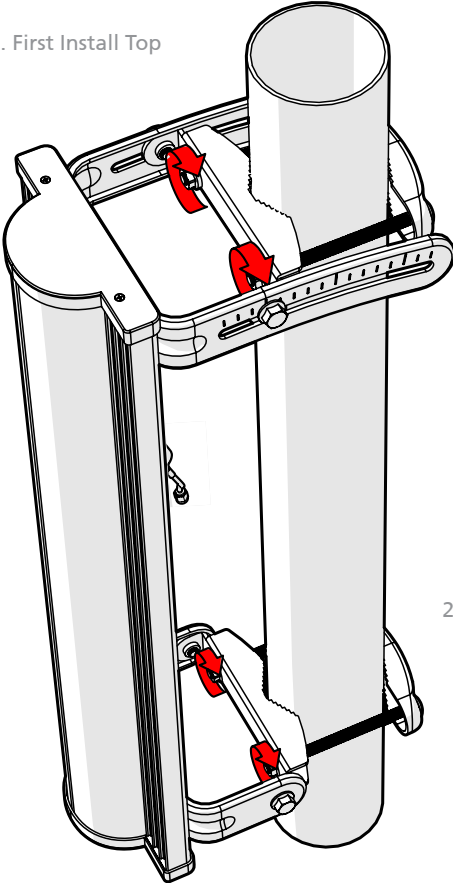
Installation Guide



Sector CarrierClass 5-17

Installation Guide

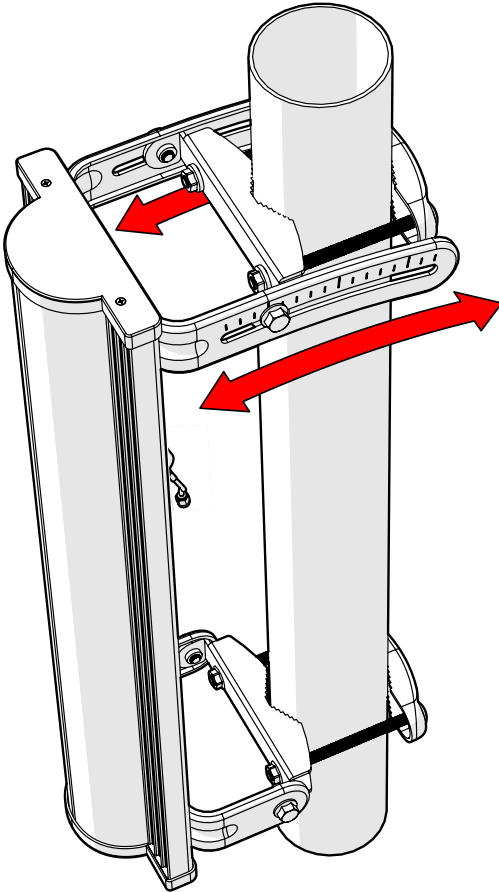
1. First Install Top



2. Then Install Bottom

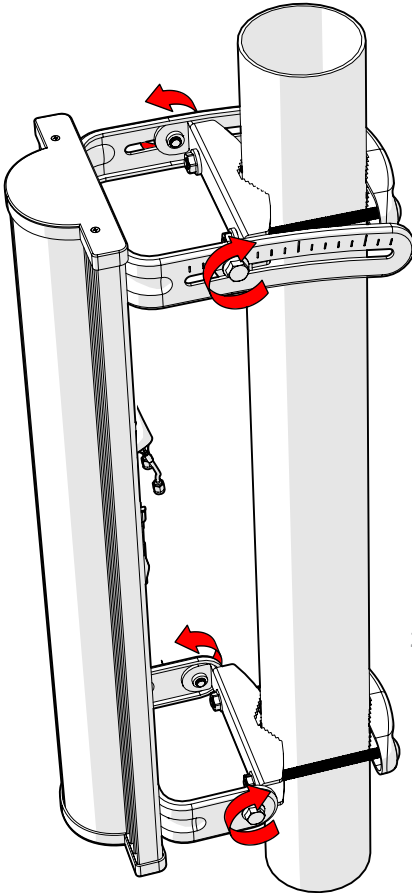
Sector Carrier Class 5-17

Installation Guide



Sector CarrierClass 5-17

Installation Guide

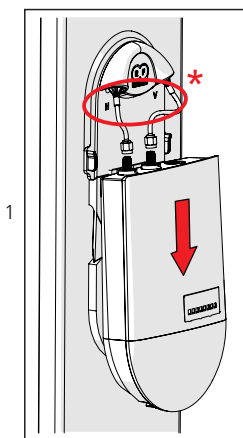
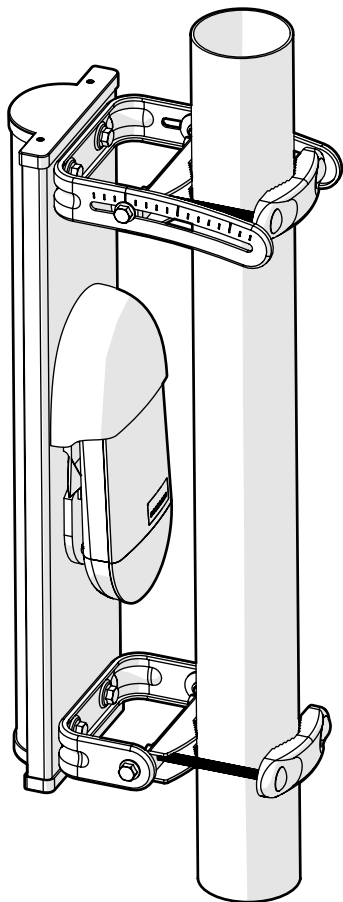


1. First Install Top

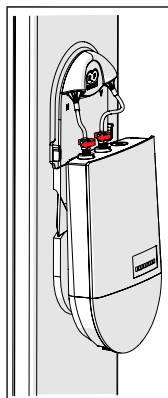
2. Then Install Bottom

Sector CarrierClass 5-17

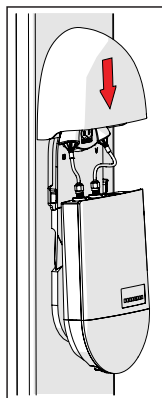
Installation Guide



2



3



* Antenna Port H - Horizontal Polarization
Antenna Port V - Vertical Polarization

Compatible Devices:

RF elements[®]

StationBox[®] S,
StationBox[®] S CARRIER CLASS,
RockShield[™]

Ubiquiti Networks[™]

Rocket[™] M2,
Rocket[™] M5,
Rocket[™] M2 Titanium,
Rocket[™] M5 Titanium
Rocket[™] 5AC-Lite
Rocket[™] 5AC
Rocket[™] M5AC

Cambium Networks[™]

ePMP[™] 1000 Connectorized Radio*

MikroTik[™]

BaseBox 5**
BaseBox 2**
NetBox 5**
NetMetal 5**

*with EasyBracket[™] for ePMP[™]

**with EasyBracket[™] 912

RF elements®, StationBox®, NanoBracket™ and RockShield™ are trademarks of RF elements s.r.o., Humenne, Slovakia.

Ubiquiti Networks™ and Rocket™ are trademarks of Ubiquiti Networks, Inc., San Jose, California.

Cambium Networks™ and ePMP™ are trademarks of Cambium Networks, Ltd., Rolling Meadows, Illinois.

MikroTik™ is trademark of MikroTik, Aizkraukles iela 23, Riga, LV-1006 Latvia.

All rights of respective trademark owners reserved.



RF elements s.r.o.
Phone: +421 2 3260 3711
info@rfelements.com
www.rfelements.com